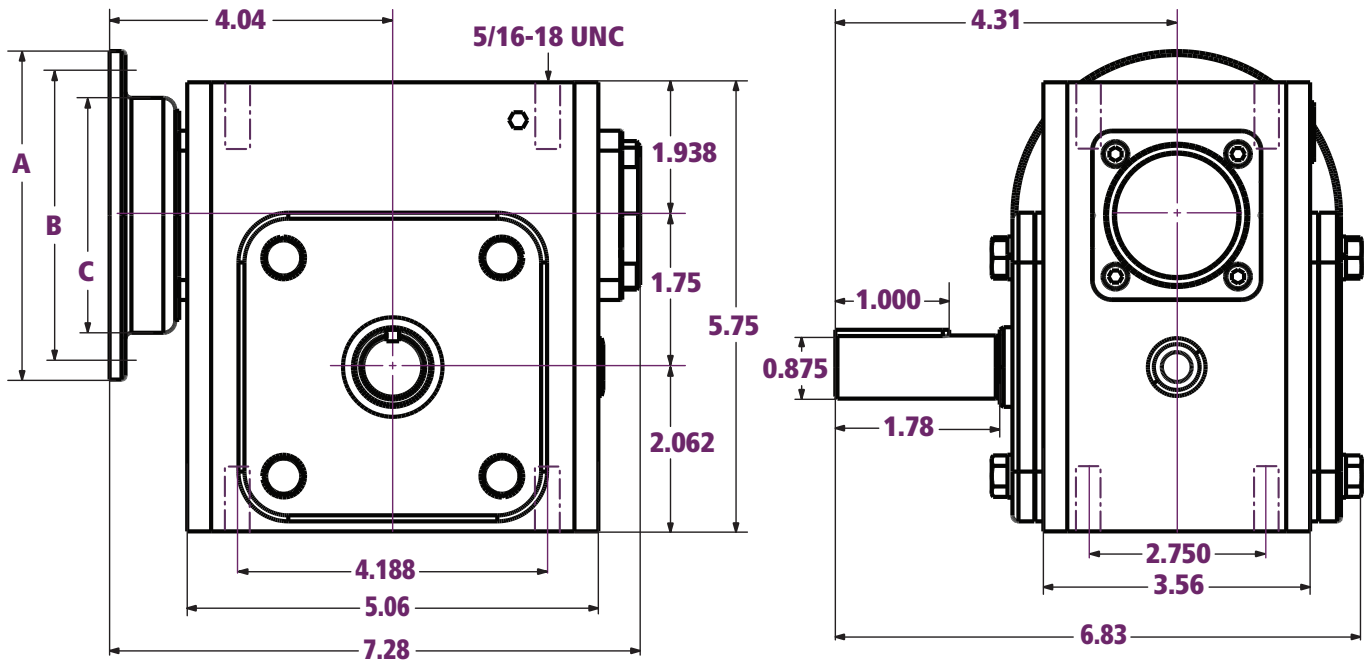




X175 Dimensions

All dimensions listed in inches



Motor Options & Dimensions (in)

NEMA Frame	Motor Shaft Dia. (in)	A	B	C
		OD Flange	Bolt Circle	Pilot Bore
56C	0.625	6.50	5.88	4.5

Specifications

Center Distance (in)	Weight (lbs)	Est. Oil Fill Amount* (oz)
1.750	19.8 [20.9 [†]]	11.8

*For Position 1

[†]Approximate weight for LR Handing

Output Shaft

Output Shaft (in)	Output Keyway (in)
0.875	3/16 x 3/32

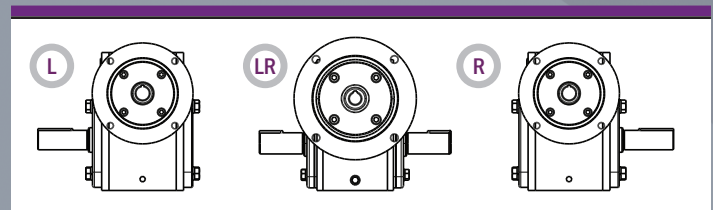
Ratios

Nominal Ratios	Exact Ratios
5:1	5.3:1
10:1	10.3:1
15:1	14.5:1
20:1	19.5:1
30:1	30.0:1
40:1	40.0:1
50:1	50.0:1
60:1	60.0:1

Efficiency

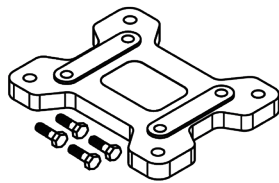
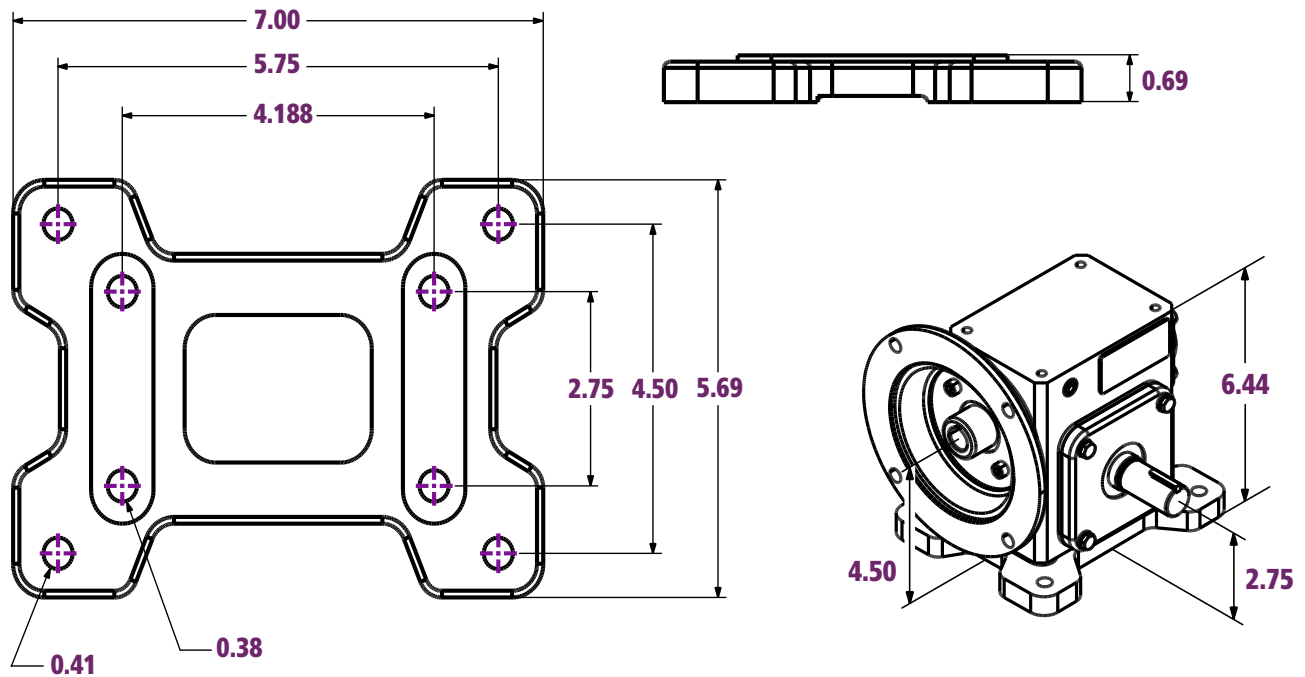
Nominal Ratios	Efficiency (%)
5:1	≈ 93
10:1	≈ 88
15:1	≈ 85
20:1	≈ 83
30:1	≈ 69
40:1	≈ 62
50:1	≈ 59
60:1	≈ 52

Handing Types



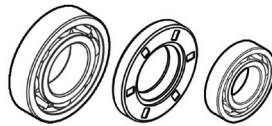
X175 Accessories

and X175 Base Kit Dimensions



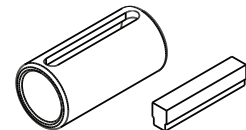
Foot Mounted Base Kit

XBK175



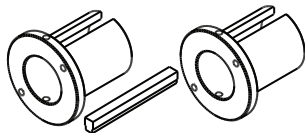
Component Repair Kit

XRK175



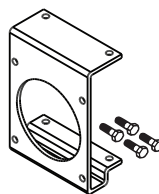
Input Quill Adapter Option

None



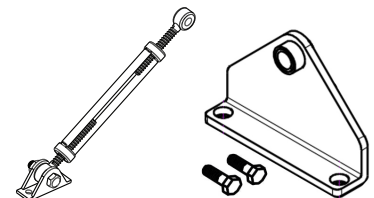
Output Bushing Kits*

Not Applicable



Output Bracket Kit*

XOB175



Torque Arm Kit*

XTA175

*Made to order.